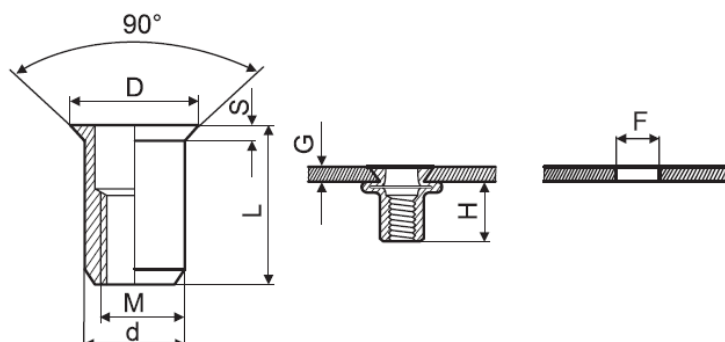


**Nýtovací matice hladká se zapuštěnou  
hlavou CK-CO**  
ALUMINIUM 3,5Mg



DIN:  
ČSN:  
ISO:



| M          | Svěrná tloušťka | F<br>+0,1 | L    | D    | d    | S   | H    | kód Fastek  |
|------------|-----------------|-----------|------|------|------|-----|------|-------------|
| <b>M4</b>  | 1,5-3,0         | 6,0       | 12,0 | 9,0  | 5,9  | 1,5 | 6,5  | 9MCKCO4012A |
| <b>M5</b>  | 1,5-3,5         | 7,0       | 13,0 | 10,0 | 6,9  | 1,5 | 7,5  | 9MCKCO5013A |
| <b>M6</b>  | 1,5-4,0         | 9,0       | 15,5 | 12,0 | 8,9  | 1,5 | 9,0  | 9MCKCO6015A |
| <b>M8</b>  | 2,0-4,5         | 11,0      | 18,5 | 14,0 | 10,9 | 1,5 | 11,0 | 9MCKCO8018A |
| <b>M10</b> | 2,0-5,0         | 13,0      | 21,0 | 16,0 | 12,9 | 1,5 | 13,0 | 9MCKCOX021A |